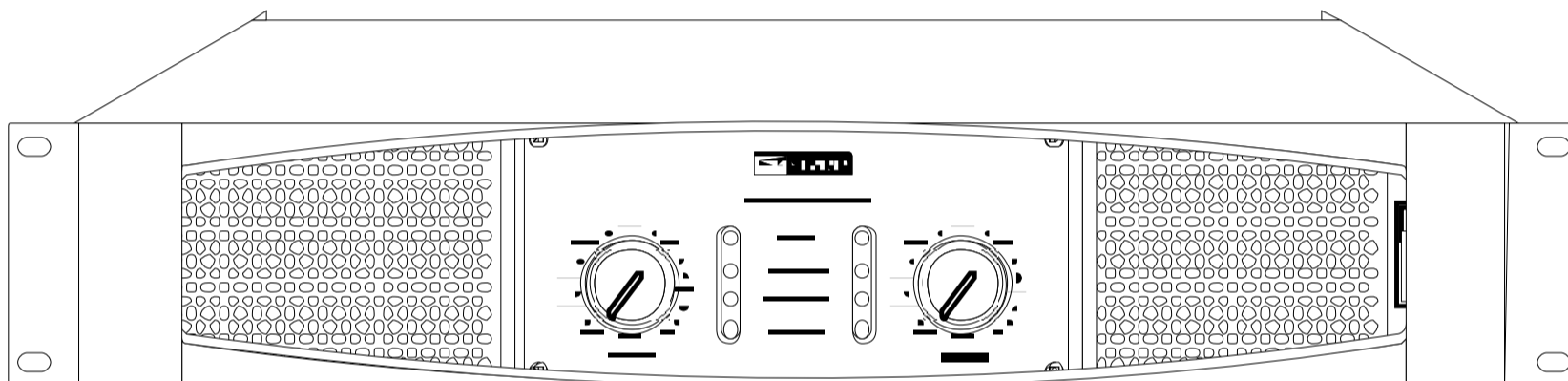




Professional Power Amplifier

User's Manual



SFR-4000+SFR-7000+SFR-9000+SFR-14000

Please keep this manual for future reference > > >

www.sfaudio.es



IMPORTANT PRECAUTIONS



1. Read all documentation before operating your equipment. Retain all documentation for further reference.
2. Mains voltage must be correct and the same as that printed on the rear of the unit. Damage caused by connection to improper AC voltage is not covered by any warranty.
3. Always operate the unit with the AC ground wire connected to the electrical system ground. Precautions should be taken so that the means of grounding of a piece of equipment is not defected.
4. Connecting amplifier outputs to oscilloscopes or other test equipment while the amplifier is in bridged mode may damage both the amplifier and test equipment.
5. Do not drive the inputs with a signal level greater than that required to drive equipment to full output.
6. Do not run the output of any amplifier channel back into another channel's input. Do not parallel or series connect an amplifier output with any other amplifier output.
7. In system setup, amplifier's output power must be greater 50%-100% than the loaded loudspeaker's rated power.
8. Make sure the signal correctly connect to the amplifier's input channel at current input mode.
9. Please turn off the power switch, when pull off the power cord and signal cable or select the input mode switch.
10. In typical use, Please set the volume to 0dB position.
11. Sometime, one signal to more than one amplifier, suggest use signal distributor.
12. Please clean the dust filter, every 15 days.

WARRANTY CONDITIONS

All products are warranted for a period of one year from all manufacturers defects.

The warranty begins when the product is sold to the end-user, and no more than 12 months after

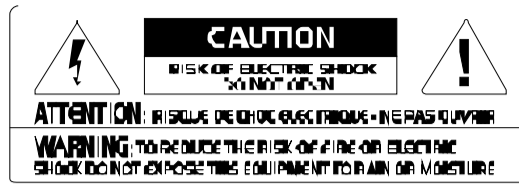
The warranty is void if there are any signs of tampering of the unit, unless authorized by an agent of in writing.

If by chance the unit were to be defective, at that point the client must pre-pay the shipment back to the warranty center with its original package.

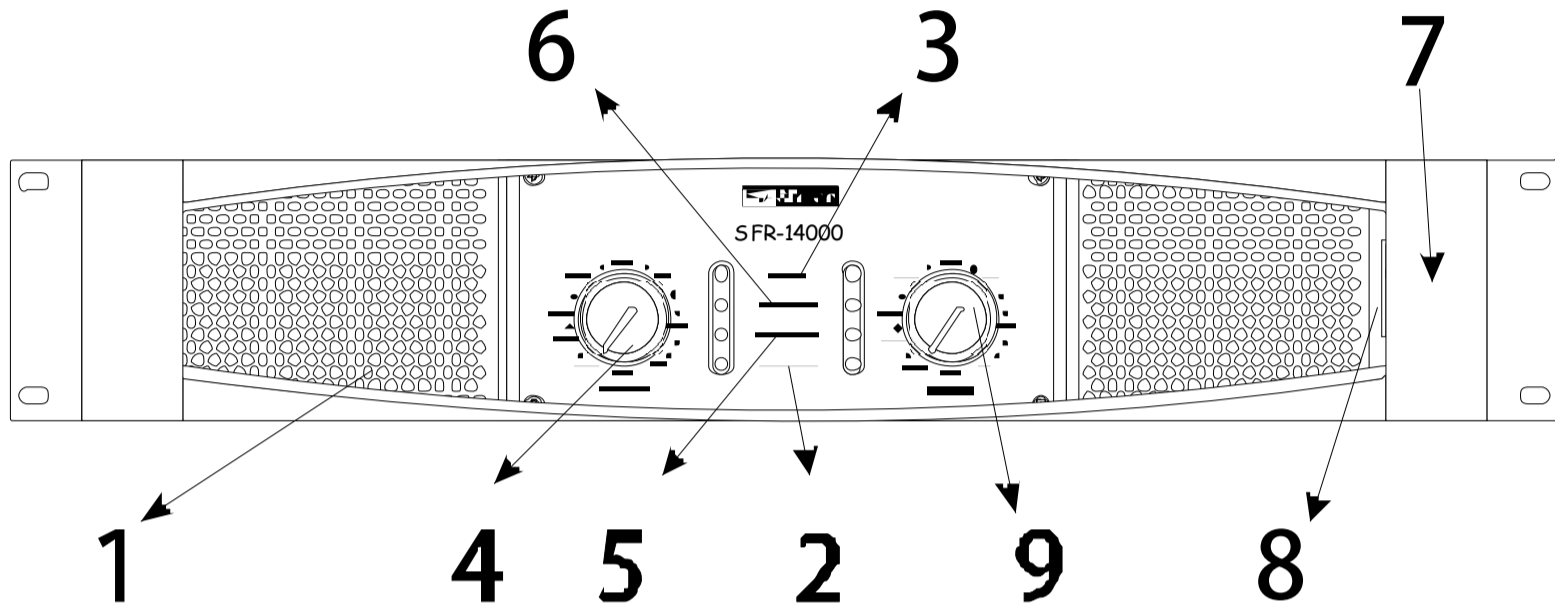
The amplifiers have all protections but bad use can damaged the amplifier and is not covered by the warranty.

The amplifier have some mechanical parts that if over used abusively is not covered by the Limited Warranty.

For any further information or question regarding the SFR series amplifier please contact your distributor or place from which you purchased this product.



SFR SERIES DESCRIPTION FRONT PANEL:



1. Air Exit

This part is the air exit. Don't obstruct it.

2. "POWER" Indicator

This indicator lights when the power amplifier is switching on.

3. "CLIP" Indicator

Any illumination of the clip indicates a state of over modulation (distortion at extremely high volumes). In this case, check the output signal of your mixer and turn down the input gain control. Please keep in mind that the power amplifier cannot correct any distortion.

4. Channel 1 Volume Control

In stereo mode, this potentiometer allows the adjustment of the channel 1 input level. (left channel). In Bridge mode, this potentiometer allows the adjustment of the two channels at the same time.

5. "PROTECTION" Indicator

When this indicator lights, that means the power amplifier is in the protection mode.

Switch off the device and find out the problem. This power amplifier is protected overheat, overload, short circuit, DC, softstart.

6. "SIGNAL" Indicator

The illumination of the LED only indicates a safe operation.

7. Handles

Those handles are used for easy transportation.

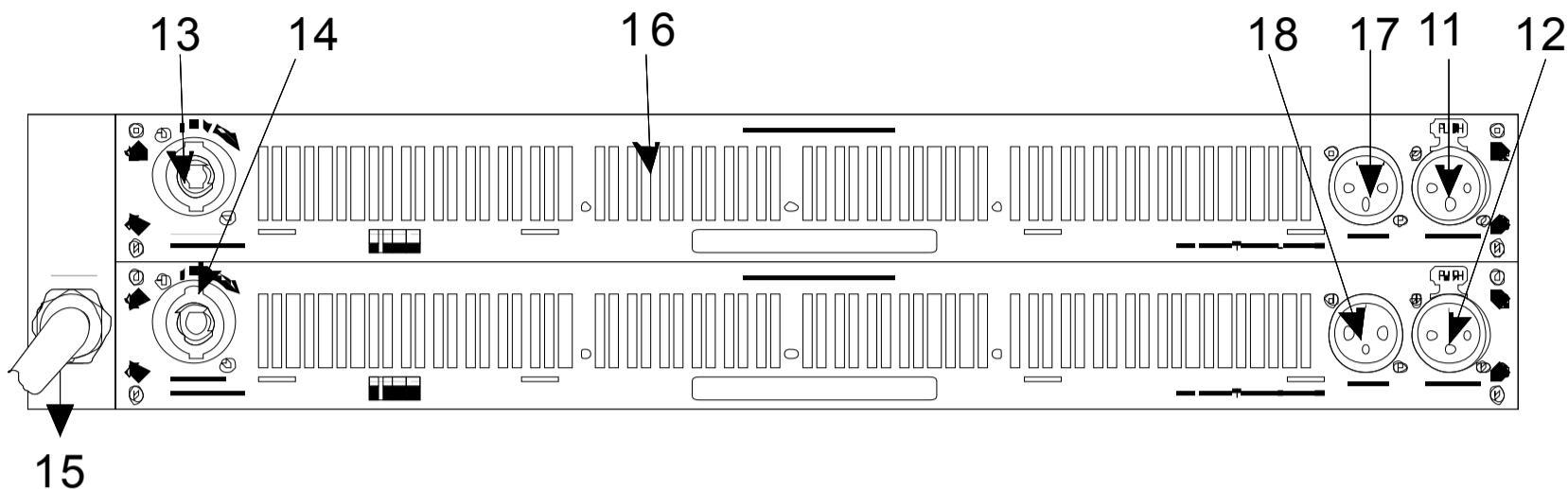
8. Power Switch

Use this switch to switch your power amplifier on.

9. Channel 2 Volume Control

In stereo mode, this potentiometer allows the adjustment of the channel 2 input level. (Right channel)
In bridge mode, this potentiometer is disabled.

SFR SERIES DESCRIPTION REAR PANEL:



11. Channel 1 XLR Input

This XLR input is a balanced input. Connect this input to the left output of your mixer.

12. Channel 2 XLR Input

This XLR input is a balanced input. Connect this input to the right output of your mixer.

13. Channel 1 Turn lock Output

Connect this turn lock output to a speaker.

14. Channel 2 Turn Lock Output

Connect this turn lock output to a speaker.

15. AC Cord

Plug this cord into the power supply socket. (Before using the power amplifier, check if the power supply is 220V).

16. Air Entrance

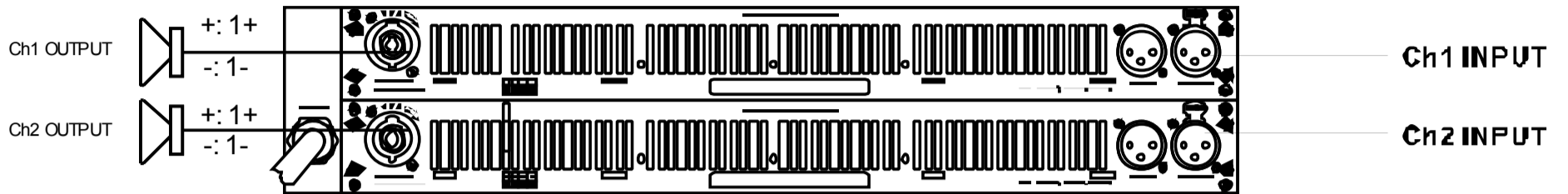
This part is the air entrance. Don't obstruct it.

17. Channel 1 Link Socket

This balanced socket is used to link another amplifier.

18. Channel 2 Link Socket

This balanced socket is used to link another amplifier.

CONNECTING FOR 2U MODEL:

En modo Stereo conectar cada una de las entradas CH1 y CH2 a las salidas del mezclador.

El selector MODE debe de estar en la posición Stereo.

Conectar los altavoces a los conectores de salida.

Ajustar el volumen con los potenciómetros frontales de volumen de cada canal.

SAFETY INSTRUCTIONS:

Read all safety instructions before operating amplifier.

Install equipment as follows:

- Install in a flat place, not bending or curved.
- Do not install near water and moisture.
- Place power amplifier away from heat sources, such as radiators or other heat source.

Keep in mind the following when connecting amplifiers

- Read the user manual before connecting the amplifier
- Connect each connection of the amplifier perfectly. If not, it may cause hum, damage, electric shock in case of disconnection.
- To prevent electric shocks, do not open top cover.

Connect the power cord with safety after check fo AC power.

SPECIFICATIONS

SFR SERIES SPECIFICATIONS	SFR-4000	SFR-7000	SFR-9000	SFR-14000
@8Ω Stereo Output Power	800W	1450W	1600W	2000W
@4Ω Stereo Output Power	1200W	2100W	2400W	3000W
@8Ω Bridge Output Power	2400W	4200W	4800W	6000W
Frequency Response	20Hz-20KHz ±0.5dB			
THD+N(20Hz-20KHz)	<0.05%	<0.05%	<0.08%	<0.08%
Slew Rate	30V/μs	30V/μs	30V/μs	40V/μs
Damping Factor(8Ω , 20Hz-1KHz)	400			
Voltage Gain(rated power@8Ω)	36dB	38.2dB	39.7dB	40.8dB
Signal to Noise Ratio	>90dB	>90dB	>95dB	>95dB
CrossTalk(20-20KHz)	>70dB	>70dB	>70dB	>70dB
Input Sensitivity(8Ω)	0.775V/1.0V/1.4V			
Input Impedance	20KΩ balance/10KΩ unbalance			
Cooling	Two variable speed fans, rear-to-front air flow			
Connectors (each channel)	Input : XLR Output:Speakon , connector			
Controls	Front: AC switch, Ch1 and Ch2 gain knobs; Rear:Sensitivity switch, GND switch, Stereo/Parallel/Bridge switch, 30Hz Low cut switch, :clip limiter switch, 150Hz Low passswitch			
Indicators	Front: STANDBY-orange LED, POWER-White LED, SIGNAL-Green LED , CLIP-Red LED , PROT-Red LED; ReaBridge- orange LED			
Amplifier Protection	short circuit, thermal, over load, clip limiter, DC voltage, soft start, ultrasonic and RF protection			
Net Weight/Gross Weight	15Kg/19.5Kg	17Kg/21Kg	18Kg/22Kg	18Kg/22Kg
Dimensions	483mmX462mmX89mm			
Packing Dimensions	610mmX575mmX170mm			
Power Requirements	230V/50Hz			